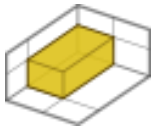


# Tibbit Module

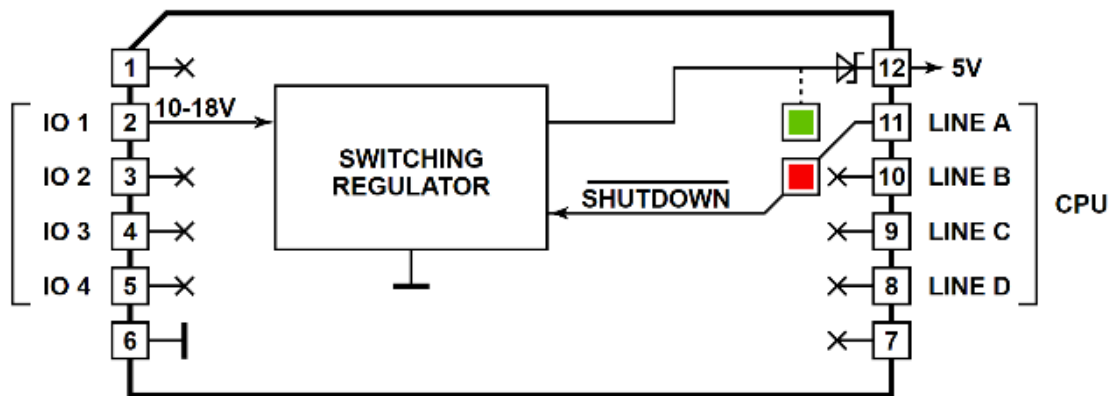
## #09



### M1S

Low-power 5V supply, 12V input

Low-power non-isolated power supply with 5V output, 9-18V input range, shutdown control.



**Form:** M1S

**Power:** 5V - Provides 700mA

**Mates with:** #18, #19, #20, #21

### Details

This Tibbit is capable of generating up to 700mA of 5V power from the external input in the 9-18V range. Multiple power supply Tibbits can be used to increase available current or for power redundancy.

The module has a dedicated shutdown (-SDWN) line. Pull the line LOW to disable this Tibbit.

Combine this Tibbit with #18 (it has a power jack and two terminal blocks), #20 (nine terminal blocks), or #21 (four terminal blocks).

## **LEDs**

There is one green and one red LED. The green LED is connected to the +5V output and lights up when the voltage is present on this line. Red LED is connected to the -SHUTDOWN line and lights up when the line is LOW (i.e. when the power supply is in shutdown). The red LED is buffered (with a logic gate).

© 2017 Tibbo Technology Inc.