

TVP-PAS

TruVision Stainless Steel Pendant Mount for use with TVP-5201

Overview

This Stainless Steel Pendant Mount Bracket allows for wall mounting of the TruVision Stainless Steel PTZ Cameras. It is suitable for both indoor and outdoor use.

Used for the following cameras:

TVP-5201



Details

- For use with TVP-5201
- For wall mount installations
- Allows for cable management
- Stainless Steel

TVP-PAS

TruVision Stainless Steel Pendant Mount for use with TVP-5201

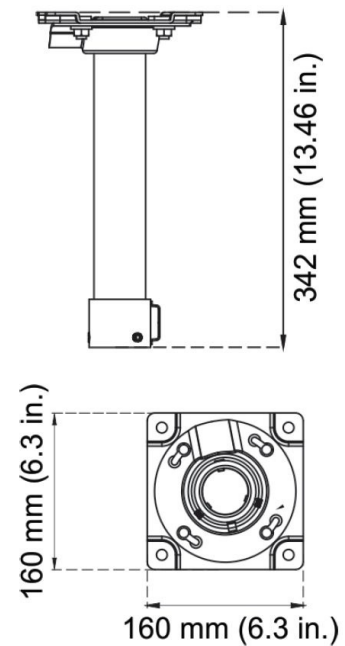
Technical specifications

General

| | |
|-----------------------|------------------|
| Bracket type | Camera |
| Camera support type | PTZ camera |
| Bracket mounting part | Mounting bracket |
| Mount type | Wall mount |

TVP-PAS

| | |
|-------------|---------------------------|
| Dimensions: | 160 × 160 × 342 mm |
| Weight: | 1.89 kg |
| Color: | Grey color (Pantone 428c) |



As a company of innovation, UTC Fire & Security reserves the right to change product specifications without notice. For the latest product specifications, visit UTC Fire & Security online or contact your sales representative.

Last updated on 10 December 2019 - 16:08