

TVP-CBB

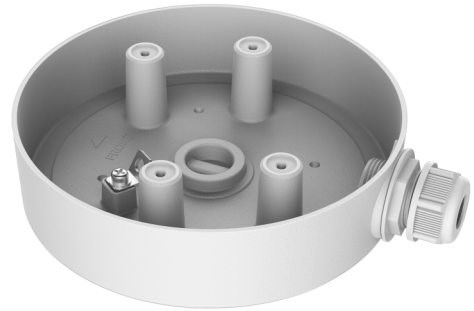
TruVision Compact PTZ Back Box for use with TVP-5103

Overview

This Compact PTZ back box allows for cable management when surface mounting. It is suitable for both indoor and outdoor use. The back box can be used with the TruVision TVP-5103.

Used for the following cameras:

TruVision TVP-5103



Details

- For use with TVP-5103
- Back box
- Allows for cable management
- Aluminum alloy

TVP-CBB

TruVision Compact PTZ Back Box for use with TVP-5103

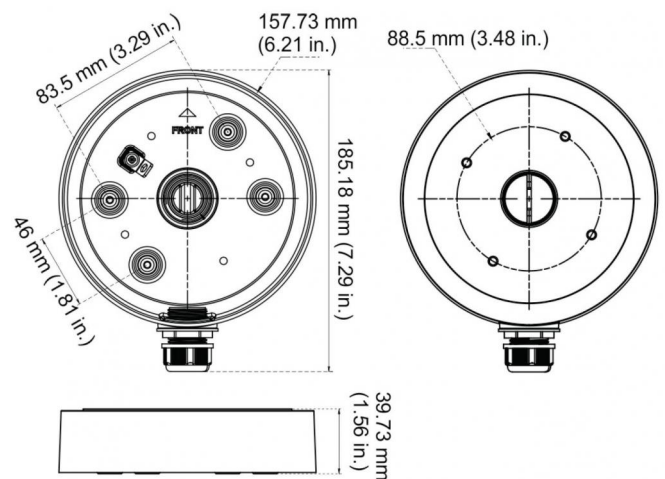
Technical specifications

General

Bracket type	Camera
Camera support type	PTZ camera
Bracket mounting part	Mount connection box

TVP-CBB

Dimensions:	158 x 40 mm
Weight:	450g
Color:	Grey color (Pantone 428c)



As a company of innovation, UTC Fire & Security reserves the right to change product specifications without notice. For the latest product specifications, visit UTC Fire & Security online or contact your sales representative.

Last updated on 6 December 2019 - 14:06