

HES® KS100 Series Server Cabinet Lock

Wireless server cabinet lock
with Aperio® technology



Designed to integrate seamlessly with existing access control systems and protect critical assets from intrusion and expensive downtime.

Designed to install easily on most swing handle server cabinet doors, the KS100 comes standard with lock monitoring and utilizes an SFIC (Small Format Interchangeable Core) mechanical key override. An additional optional extended DPS monitoring sensor can be connected to ensure that the cabinet is closed, locked and secure.

The KS100 supports either HID® 125 kHz Prox or 13.56 iCLASS® SE contactless credentials. It uses local wireless communication between the lock and an Aperio hub to protect servers from malicious or accidental tampering.



Features

Standard Features

- Wireless Aperio technology
- Integrates with existing access control systems and ID badges
- Non-handed
- Designed for standard cam-activated swing handle applications with 25 mm x 150 mm lock opening
- Audit trail limited by EAC system
- LEDs indicate valid/invalid entries; Red Amber or Green Amber
- Locked state monitoring and additional optional extended DPS monitoring to ensure cabinet is closed, locked and secure
- SecuriCare three-year, no fault, no questions asked warranty

Optional Features

- iCLASS (SE) or Prox (PA) card technology
- SFIC Small Format Interchangeable Core mechanical key override (sold separately)

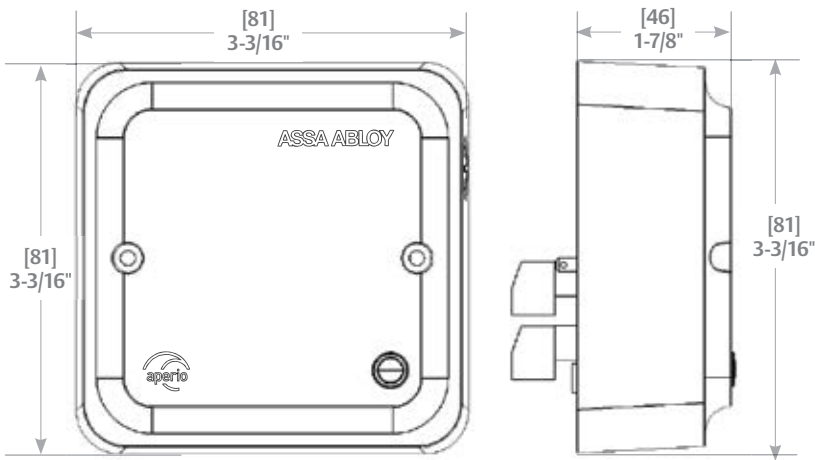
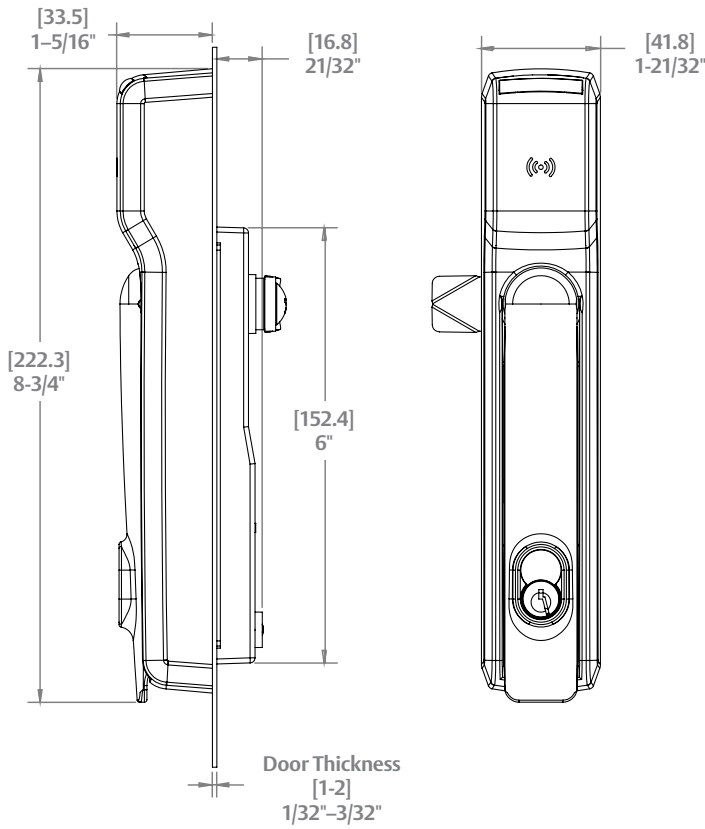
Accessories

- SFIC MEDECO X4 SFIC Cylinder & 2 keys (1 control, 1 user)
- SFIC-BC KS SFIC Blank, Black Plastic Core
- KS-DPS Surface Mount DPS (external)
- KS-CAM38 CAM: 38MM-1
- KS-CAM45 CAM: 45MM - 5
- EXT-10-ANT Aperio Hub External Antenna (Omni-directional)



Note: The HES K100 cabinet lock is available as either a pre-paired lock and hub kit (no certification required) or as a field configurable component (requires Aperio® Certified Integrator certification). Pre-paired kits support limited features, field configured devices are required in order to support all options. Visit www.IntelligentOpenings.com to learn more.

Dimensions



Specifications

Certifications

- FCC Part 15 & Industry Canada Compliant
- EU/CE Mark (EN 300 & 301)
- RoHS Compliant

Electrical

- PoE hardwired via standard IEEE 802.3af, 48 VDC Power over Ethernet (PoE Injector not included)
- Optional 24VDC input

Holding Force

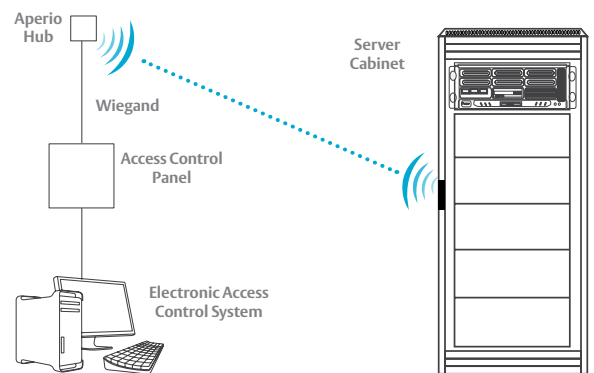
- Static strength 250 lbs

Operating Temperature

- +32 to +122F [0 to +50C]

Card Technology

- **High Frequency (13.56 MHz)**
 - HID iCLASS®
 - HID iCLASS SE® (SIO-enabled)
 - HID iCLASS® Seos®
 - ISO 14443b UID
 - MIFARE Classic™
 - MIFARE Plus™
 - MIFARE DESfire™ EV1
 - MIFARE DESfire™ SE
- **Low Frequency (125 kHz)**
 - HID® Prox
 - EM Prox
 - AWID Prox
- NFC-enabled Mobile Phones



How to Order

| Series | Model | Card Technology |
|--------------|-----------------------------|-----------------------------------|
| KS100 | - 640H | - PA |
| | 640H Factory Paired* | PA HID 125 kHz Prox |
| | | SE HID 13.56 MHz iCLASS SE |

*Kit includes integrated lock paired with Wiegand 1:1 wireless hub