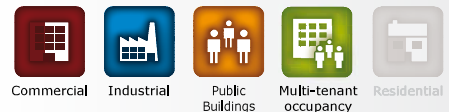




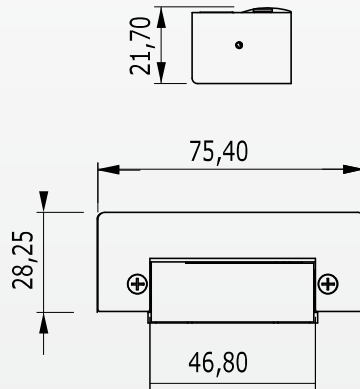
## FIRELOCK FIREDOOR SYSTEMS

### ► STRIKES

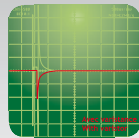
## GPCF Electric release for fire rated door



- **Firerated:** EN 1634-1 (120 mn).
  - **Steel.**
  - **200mm pre-wired cable.**
  - **Symmetrical.**
  - **Reversible.**
  - **Mortice.**
  - **Compact.**
  - **Fail-secure.**
  - **Available in versions:**
    - 12 V AC/DC = GPCF12,
    - 12 V CC = GPCF12CC,
    - 24 V CC = GPCF24CC.
  - **Options (stainless steel faceplates):**
    - "T11",
    - "T290".
  - **Built-in varistor (Electronic protection to eliminate back EMF).**
- Input voltage: 12/24V ac/dc.
  - Fail-secure consumption ac/dc:
    - 12V ac = 540mA,
    - 12V dc = 630mA.
  - Fail-secure consumption (dc) CC type\*\* (direct current):
    - 12V dc = 380mA,
    - 24V dc = 190mA.



#### Recommended power supplies



ELECTRONIC PROTECTION TO ELIMINATE BACK EMF (VARISTOR SUPPLIED)

RoHS

DEEE

CE Certification CE

CODE	REFERENCE	DESCRIPTION
F054500001	GPCF12	FAIL-SECURE SYMMETRICAL FIREDOOR STRIKE 12 V AC/DC
F054500002	GPCF12CC	FAIL-SECURE SYMMETRICAL FIREDOOR STRIKE 12 V DC (CONTINUOUS DUTY)**
F054500003	GPCF24CC	FAIL-SECURE SYMMETRICAL FIREDOOR STRIKE 24 V DC (CONTINUOUS DUTY)**

\* Refer to Limited Lifetime Warranty Conditions.  
 \*\* CC Type: For unlocked door or continuous duty.