

Aperio Online Cylinder C100

ASSA ABLOY

Euro Profile

Cylinder with Aperio technology for inner doors for integration in Online Access Control

Characteristics

- Compatible to locks with European cylinder profile
- Indoor use
- Basic length 30/30mm, increasable in steps of 5mm
- outside knob free wheeling
- inside knob always connected
- main electronics (RFID+radio) in outer knob
- secure electronics inside cylinder core
- battery outside
- clutch mechanism inside cylinder core
- LED for status visualisation (red / green)
- Communication hub with RS 485 bus to the EAC system (addressable)
- Access decision in the EAC system



1. Technical datas:

Dimensions	Knob 42*36,4mm (L*Ø)
Battery type	1* Lithium CR2
Battery lifetime	> 40.000 cycles
Radio standard	IEEE 802.15.4 (2,4 GHz)
Encryption (radio communication)	AES 128 Bit
Distance between Escutcheon and hub	Recommended max 5m / same side of the wall
RFID technology	Mifare classic
RFID reading	UID / sector/block
Card reading distance	< 4cm
Operating Temp. range	0°C ... 60°C
Humidity	<85% non condensating
IP-degree	IP 30
Approvals	CE
Colour / surface	Knob black
Cylinder format	Euro Profile
Override	Up to 10 override credentials / cards

3. Visualisation (LEDs)

- access granted – green
- access denied – red
- battery warning – red blinking
- warning – red blinking
- Power off self test – red blinking sequence
- All status informations are also send to the EAC system

4. Setup

- The E 100 is an Aperio technology based electronic online Cylinder
- To set up the system (encryption key, override credentials, RS 485 bus address, reading type) the PAP installation software together with the USB radio dongle has to be used (see separate manual)
- PAP installation tool has to be ordered separately

5. Ordering information

15 digit order code

50520000_0000 C100, AA branding, brass cylinder, black knob, Mifare, Aperio, without approval, XX, EP double knob, with tool, hub RS485 Aperio, Version 1

1...3 Digit 505=Basic number for double knob cylinder (E/M)

4. Digit Brand 2 ASSA ABLOY

5. Digit Colour cylinder 0=brass, nickel-plated

6. Digit knob form/colour 0=black

7. Digit RFID technology 0 Mifare classic

8. Digit Function 0=Aperio=wireless online

9. Digit Approval _=without approval

10. Digit Cylinder length 1 0=30mm L1 = outside = reader side
1=35mm
2=40mm
3=45mm
4=50mm
5=55mm
6=60mm
7=65mm
8=70mm
9=80mm

11. Digit Cylinder length 2 0=30mm L2 = inside
inside 1=35mm
2=40mm
3=45mm
4=50mm
5=55mm
6=60mm
7=65mm
8=70mm
9=80mm

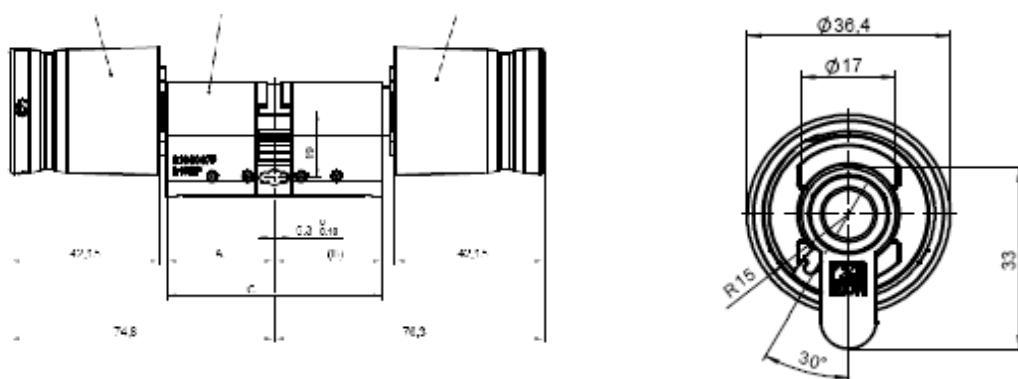
12. Digit Cylinder Profile 0=EP double knob

13. Digit Battery tool 0=With tool
1=without tool

14. Digit Hub electronic 0=RS485 with Aperio protocol

15. Digit Version 0=Version 1

6. Dimensional drawing



7. Package

C100 is delivered in a card box package in white colour

- Cylinder
- Communication hub
- Battery
- Installation manual
- Screw set
- Battery changing tool (optional without tool)

Dimensions box: 185*122*39mm

Weight compl set: 0,400 Kg

9. Change of Battery

- Battery is located in the outside knob
- Counter the disc with the tool and turn the housing anti clockwise
- Replace battery, note polarity as indicated!!!

8. Warranty

According to Assa Abloy general terms and warranty conditions 2 years