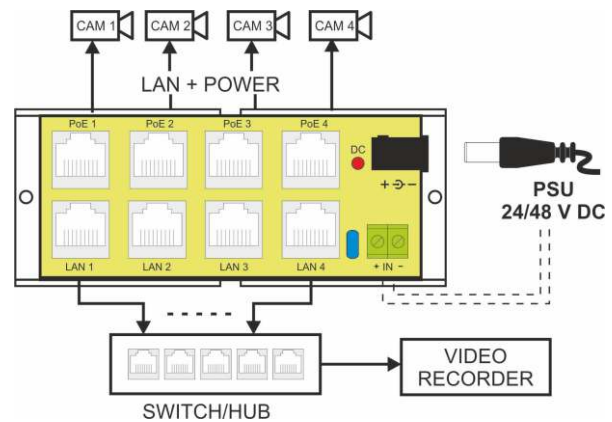
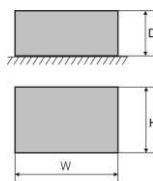
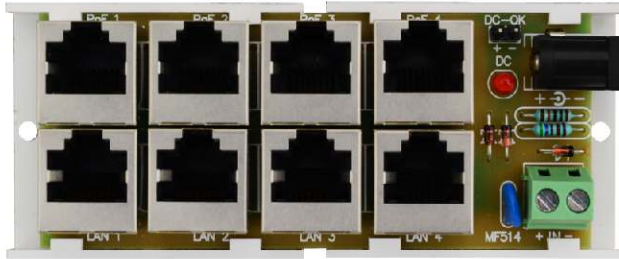


CODE: **AWZ602** v.1.0/l EN**
 NAME: **PoE/4x1A/1,5** Power supply distribution module for IP cameras (PoE)



DESCRIPTION

The PoE4 power supply distribution module is designed to supply 4 IP devices (e.g. web cameras, access points, etc.) requiring voltage of **20V±56 V DC**. It is equipped with two power inputs: screw connection and DC jack 5,5/2,1. The power is supplied with use of four-pair twisted pair, using the **4/5 (+)** and **7/8 (-)** pairs, which, in accordance with the Ethernet network standard, are not used for data transmission (data transmission is performed using 1/2 and 3/6 pairs). The module cannot be used in Gigabit Ethernet, where all twisted pairs are involved in data transmission! The module is adapted for connection of cables with a maximum cross section of **1,5mm²**.

SPECIFICATIONS

| | |
|------------------------------------|--|
| Supply voltage | 20V±56 V DC (-2%/+2%) |
| Output voltage | $U_{PoE} = U_{IN}$ (equal to supply voltage) |
| Current consumption | 2mA @ $U_{in} = 24$ V DC 6mA @ $U_{in} = 48$ V DC |
| Number of power inputs | 2: DC jack 5,5/2,1 or screw connection – 1,5mm² max. cable |
| Number of power outputs | 4 (PoE terminals) – RJ-45 jack |
| Protections against a surge | Yes – varistors |
| LED indication | - red LED supply voltage indicator |
| Operating conditions | II environmental class, -10°C ÷ 50°C |
| Dimensions | 105 x 43 x 24 (WxHxD) [mm] |
| Installation | A mounting panel with an adhesive tape, mounting screws x 2 (holes 3mm) |
| Connectors: | |
| - power supply input | - DC jack 5,5/2,1 or screw connection $\Phi 0,5 \div 2,05$ (AWG 24-12), $0,2 \div 1,5$ mm ² |
| - input/output LAN/PoE | - RJ-45 jack 8p8c |
| Net/gross weight | 0,08kg / 0,10kg |
| Declarations, warranty | CE, 2 year from the production date |