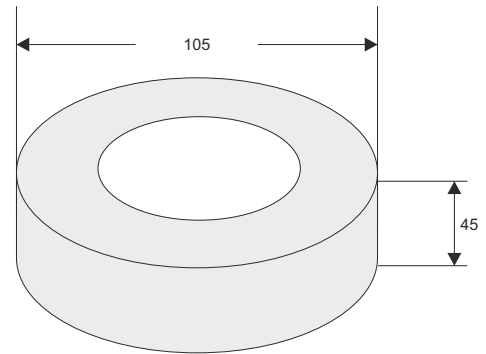
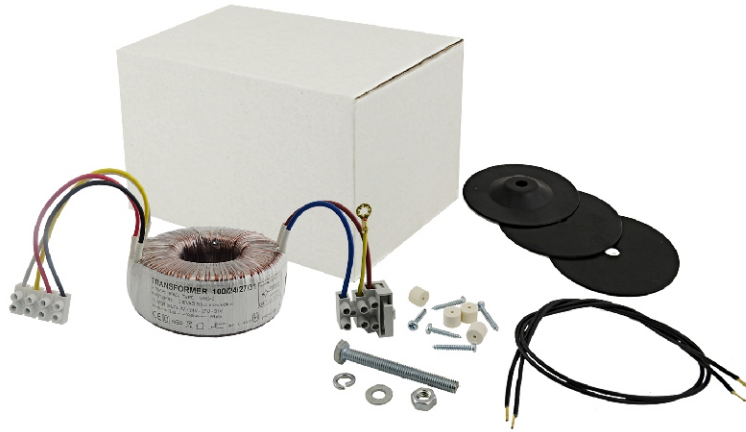


CODE: **AWT042** v.1.0/III

NAME: **Transformer TOR 100VA/24V/27V/31V**



## DESCRIPTION

Transformers are intended for supplying devices requiring AC power supply insulated from 230V AC mains. Transformers have build-in thermal protection in case of overload.

## SPECIFICATION

<b>Input voltage</b>	230V AC / 50Hz
<b>Power</b>	100VA
<b>Outputs</b>	24V/4,17A or 27V/3,7A or 31V/3,23A
<b>Protection</b>	fuse T1A in lead circuit
<b>Thermal protection</b>	fuse 130°C - non resettable ( fuse in transformers winding)
<b>Dimensions</b>	W 105mm, H 45mm
<b>Weight net/gross</b>	1,50kg / 1,65kg [ +/-0,1kg]
<b>Wires length:</b>	
<b>Primary winding</b>	120mm ±10mm
<b>Secondary winding</b>	170mm ±10mm
<b>The equipment</b>	kit for mounting in housing or on din rail
<b>Certificates, declarations:</b>	CE, RoHS, 2 year from the production date
<b>Operating conditions</b>	2nd environmental class, -10°C÷ 40°C, Ta 40 B

