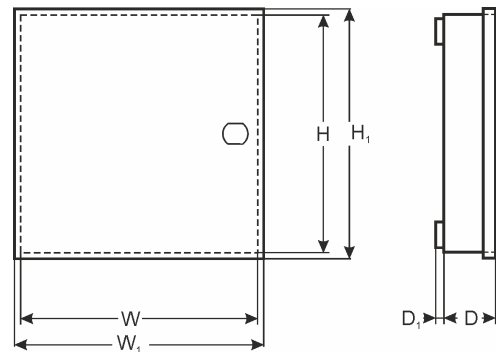


CODE: **AWO214PU** v.1.1/II
 NAME: **17/40/PAR/EMPTY**



DESTINATION

PARADOX
 CONTROL PANELS:

7Ah:

- 1) (728 ULT, E55, E65, SP4000, 5500, 6000, 7000, EV048, 192, MG5000, 5050, PS17, ACM12) + 4x ZX8 (6xZX4, APR3- ADM2, APR3- HUB2, PGM4)

17Ah:

- 1) (728 ULT, E55, E65, SP4000, 5500, 6000, 7000, EV048, 192, MG5000, 5050, PS17, ACM12) + 2x ZX8 (5x ZX4, APR3- ADM2, HUB, PGM4)

TECHNICAL DATA

External dimensions of the enclosure:	W=320, H=400, D+D1=90+8 [+/-2 mm]
External dimensions of the front panel:	W1=325, H1=405 [+/-2 mm]
Weight net/gross:	2,45kg / 2,65kg [+/-0,1kg]
Battery space:	17Ah/12V Sealed Lead Acid (SLA)
Transformer:	without transformer- can be mounted in the casing: EI20, EI40, TRP20, TRP40, TRP50, TRP80, TRZ20, TRZ40, TRZ50, TRZ60, TRZ80, TOR50, TOR80, TOR100, TOR150.
Operating environment:	class II, -10°C+ 40°C
Material description:	sheet steel DC01, thickness: 0,7mm, protection anticorrosion, color: RAL 9003
Destination:	indoor
Tamper protection:	1 x microswitch: opening, 0,5A@50V/DC max. NC- contacts
Closing:	screwed x 4
Notes:	optional: lockable, distance from wall (mounting surface) - 8mm, easy door removal, customized enclosure: minimum order quantity 100pcs.
Declaration, warranty:	RoHS, 2 year from the production date