



LTE ANTENNA

Antenna LTE Adhesiv 2,5 dBi,
SMA(m), RG174U/3m

AO-ALTE-SA3S

SECTRON company offers wide portfolio LTE antennas with various versions differing in shape, level of gain or attachment manner. SECTRON guarantees compatible connection between antenna and all antenna adaptors produced by SECTRON.

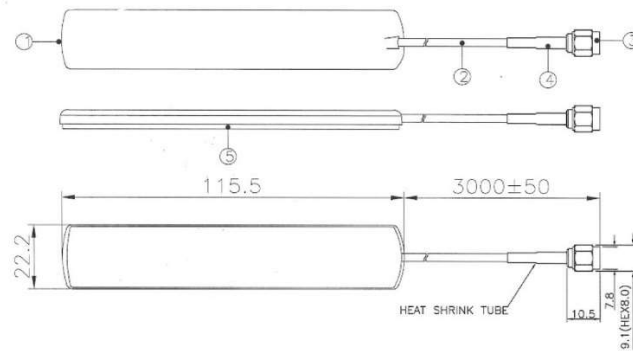


BENEFITS

- Low VSWR
- Easy installation
- High frequency range

Technology	LTE
Frequency bands	800/900/1800/2100/2600 MHz
Bandwidth	-
Gain	2.5 dBi
VSWR	<2.0:1
Impedance	50 ohm
Directivity	Omnidirectional
Beam angle	H 360° V 30°
Polarization	Vertical
Maximum input power	10W
Power voltage	-
Dimensions	115.5 x 22.2 x 7 mm
Weight	53.72 g
Operating temperature	-20 to +60 ° C
Execution	External
Method of attachment	Adhesive
Cable type	RG174/U
The cable length	3 m
Connector type	SMA (m)

DRAWING



Units: mm

VARIANT	PART NUMBER

CONTACTS

SECTRON s.r.o. Josefa Šavla 1271/12
709 00 Ostrava 9, Czech Republic

WWW.SECTRON.CZ
Tel.: +420 556 621 021