

POWER SUPPLY

Switching Power Supply 12 V DC, 1000 mA

SECTRON company offers high quality switched-mode Power Supplies in wall socket version.

Features and benefits

- Maximum output current 1000 mA
- Short protection / Over current protection
- Over voltage protection
- Leakage current: 0.25 mA max.
- Large range of input voltage



Switch Mode Power Supply

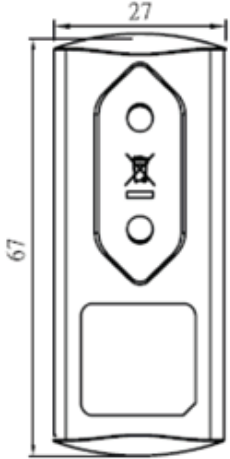
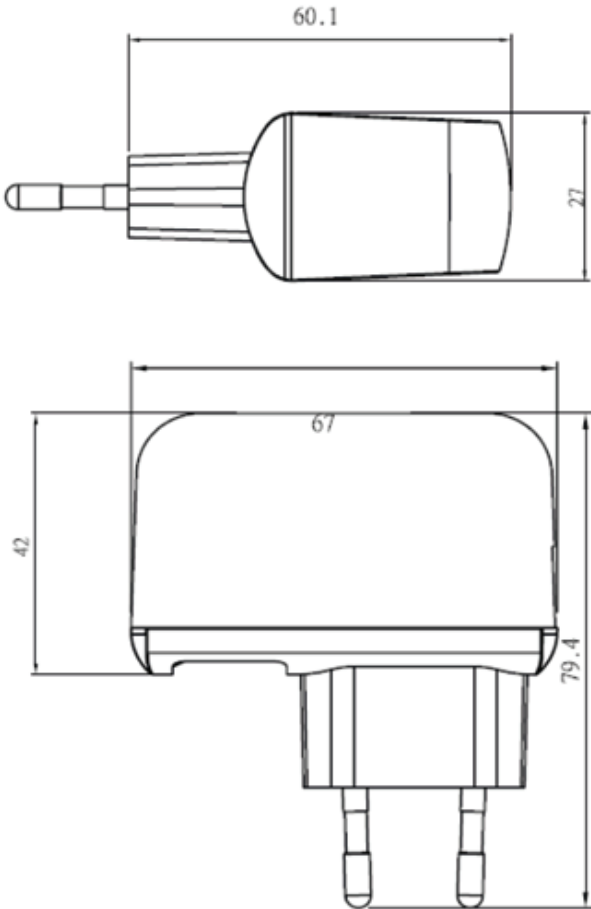


Universal Power Supply at 12 V

12 V
DC

1000
mA

Drawing



Specification

DC Voltage	12V	Rated Voltage	100-240VAC
Rated Current	1A	Voltage Range	90-264VAC
Current Range	0 - 1A	Rated Frequency	50/60Hz
Rated Power	12W	Frequency Range	47-63Hz
Efficiency / Standby power	>77.8% I <0.3W	AC Current	0.5A max.
Voltage Tolerance	±5%	Inrush Current	40A max. / 240VAC
Ripple & Noise	1% max.	Leakage Current	0.25mA / 264VAC
Setup / Rise Time	40ms max.	OCP	Over Current Protection
Hold Up Time	10ms	SCP	Short Circuit Protection
		Insulation	Insulation class II

Part Numbering

AM-RT-FPOWR Switching power supply 12V DC, 1000 mA

Mechanical Specification

Dimension	67mm x 27mm x 42mm
Operating temperature	0 °C to + 40 °C
Storage temperature	- 10 °C to + 80 °C
Weight	0,92 kg
Cable	25 mm x 25 mm x 4 mm

SECTRON s. r. o. Czech Republic
Výstavní 2510/10, 709 00 Ostrava 9
Tel.: +420 556 621 000 Fax: +420 556 626 467
E-mail: sales@sectron.cz, www.sectron.eu