

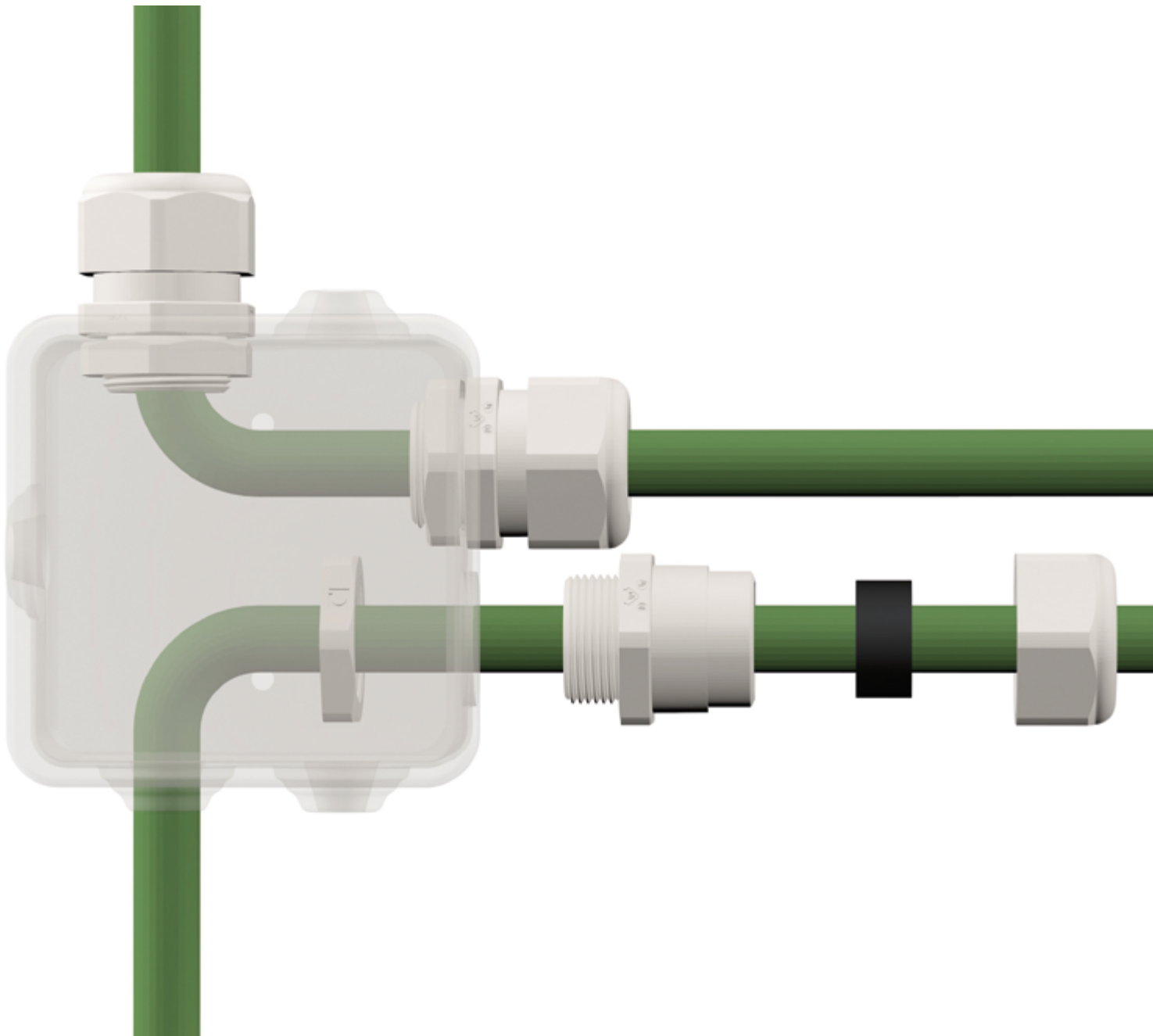


# Prensaestopas

Prensaestopas plásticos y metálicos

*Plastic and metal cable glands*

*Presse-Étoupes plastiques et métalliques*





## Gama de Prensaestopas Guía de selección

### Cable Glands Range Selection guide

### Gamme de Presse-Étoupes Guide de Selection

## Prensaestopas Plásticos / Plastic Cable Glands / Presse-Étoupes Plastiques

Denominación <i>Designation</i> <i>Designation</i>	PK	IRIS-P	IRIS	HSK-K	HSK-K-EX	HSK-FLEX
Prensaestopa <i>Cable Gland</i> <i>Presse-Étoupe</i>						
<b>Características / Features / Caractéristiques</b>						
	<b>Poliamida / Polyamide / Polyamide</b>					
Junta / Joint	TPV	NBR	NBR	NBR	NBR	NBR
	M12-M40	M12-M63	M12-M63	M12-M63	M12-M63	M12-M25
	PG7-PG36	PG7-PG29	PG7-PG48	PG7-PG48	PG7-PG48	PG7-PG21
<b>DN Ø</b>	3,5 / 32	3,0 / 44,0	3,0 / 44,0	3,0 / 44,0	3,0 / 44,0	3,0 / 18,0
	-20°C +80°C	-20°C +80°C	-40°C +100°C	-40°C +100°C	-40°C +100°C	-40°C +105°C
	Buena / Good / Bon	Alta / High / Haute	Alta / High / Haute	Muy Alta / Very High / Très Haute		
	OK	OK	OK	VO according to UL94	VO according to UL94	VO according to UL94
	OK	OK	OK	OK	OK	OK
	OK	OK	OK	OK	OK	OK
	RAL 7035 IP54	RAL 7035 RAL 9005 IP68	RAL 7035 RAL 7031 RAL 9005 IP68	RAL 7035 RAL 9005 IP68 (10 bares)	RAL 5012 RAL 9005 IP68 (10 bares)	RAL 7035 IP68 (10 bares)
<b>Homologaciones EN 60259 / Approvals EN 60259 / Homologations EN 60259</b>						
<b>Aplicaciones / Applications / Applications</b>						
Tertiary	•	•	•			•
Petrochemical Industry				•	•	
Railway app.		•	•	•		•
Energy		•	•	•		•
Photovoltaic/ Energy		•	•	•		•
Food Industry						
	224	224	225	225	226	227



**Gama de Prensaestopas  
Guía de selección**

*Cable Glands Range  
Selection guide*

*Gamme de Presse-Étoupes  
Guide de Selection*

**Prensaestopas Metálicos / Metal Cable Glands / Presse-Étoupes Metalliques**

							Denominación <i>Designation</i> <i>Designation</i>
							Prensaestopa <i>Cable Gland</i> <i>Presse-Étoupe</i>

**Características / Features / Caractéristiques**

Latón Niquelado / Nickel-Plated Brass / Laiton Nickelé							304	(M)
Neopreno	NBR	NBR	NBR	NBR	NBR	NBR	NBR	(M) Junta / Joint
M12-M63	M12-M63	M12-M63	M12-M63	M12-M63	M12-M63	M12-M40	M12-M40	M
PG7-PG36	PG7-PG36	PG7-PG48	PG7-PG48	PG7-PG48	PG7-PG48	PG7-PG48	PG7-PG48	PG
4,0 / 46,0	3,0 / 48,0	3,0 / 44,0	3,0 / 44,0	3,0 / 44,0	3,0 / 44,0	3,0 / 44,0	3,0 / 32,0	DN Ø
-15°C	-40°C	-40°C	-40°C	-60°C	-60°C	-60°C	-40°C	°C+
+60°C	+100°C	+100°C	+100°C	+130°C	+130°C	+130°C	+100°C	°C+
Alta / High / Haute	Muy Alta / Very High / Très Haute							UV
OK	OK	VO according to UL94	VO according to UL94	VO according to UL94	VO according to UL94	VO according to UL94	VO according to UL94	Fire
OK	OK							HF
								X
Metal	Metal	Metal	Metal	Metal	Metal	Metal	Metal	
IP54	IP68	IP68 (10 bares)	IP68 (10 bares)	IP68 (10 bares)	IP68 (10 bares)	IP68 (10 bares)	IP68 (10 bares)	IP

**Homologaciones EN 60259 / Approvals EN 60259 / Homologations EN 60259**

--	--	--	--	--	--	--	--

**Aplicaciones / Applications / Applications**

•	•	•	•	•	•	•	•	Tertiary
			•	•	•	•	•	Petrochemical Industry
			•	•	•	•	•	Railway app.
			•	•	•	•	•	Energy
	•	•						Photovoltaic/Energy
							•	Food Industry
228	229	229	230	230	231	231		ⓘ



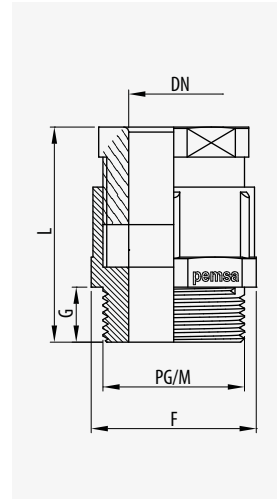
### Prensaestopas PK DIN46320

PK DIN46320 Cable Gland

Presse-Étoupe PK DIN46320



DN		G	L		RAL 7035	kg/u	
3,5/6	PG7	8	29	15	20010007	0,004	50
4,5/7	PG9	8	30	19	20010009	0,006	50
6/9	PG11	8	30	22	20010011	0,008	50
9/12	PG13	9	35	24	20010013	0,009	50
11/14	PG16	10	38	27	20010016	0,011	50
14/18	PG21	11	43	33	20010021	0,019	50
18/25	PG29	11	46	42	20010029	0,034	25
25/32	PG36	13	62	53	20010036	0,061	10
3,5/6	M12	8	29	15	20011120	0,004	50
4,5/7	M16	8	30	19	20011160	0,006	50
6/9	M16	8	30	22	20011161	0,008	50
9/12	M20	9	35	24	20011200	0,009	50
11/14	M20	10	38	27	20011201	0,011	50
14/18	M25	11	43	33	20011250	0,019	50



	(M)			
PA6+NBR		-25/+60°	54	OK



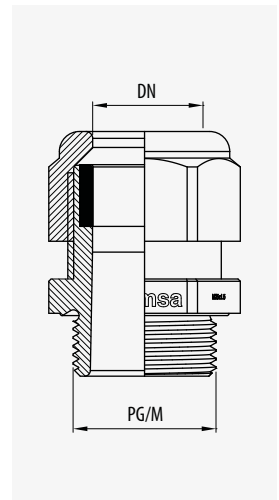
### Prensaestopas IRIS-P

IRIS-P Cable Gland

Presse-Étoupe IRIS-P



DN		LN	RAL 9005	kg/u	
3/6,5	PG7	21010007	21020007	0,003	50
4/8	PG9	21010009	21020009	0,005	50
5/10	PG11	21010011	21020011	0,008	50
6/12	PG13	21010013	21020013	0,010	50
10/14	PG16	21010016	21020016	0,013	50
13/18	PG21	21010021	21020021	0,021	50
18/25	PG29	21010029	21020029	0,036	25
3/6,5	M12	21011120	21021120	0,003	50
4/8	M16	21011160	21021160	0,006	50
6/12	M20	21011200	21021200	0,010	50
13/18	M25	21011250	21021250	0,021	50
18/25	M32	21011320	21021320	0,039	25
19/28	M40	21011400	21021400	0,078	10
32/38	M50	21011500	21021500	0,100	5
34/48	M63	21011630	21021630	0,140	5



	(M)			
PA6+NBR		-15/+60°	68	OK



IDEA

Poliamida

Polyamide

Polyamide

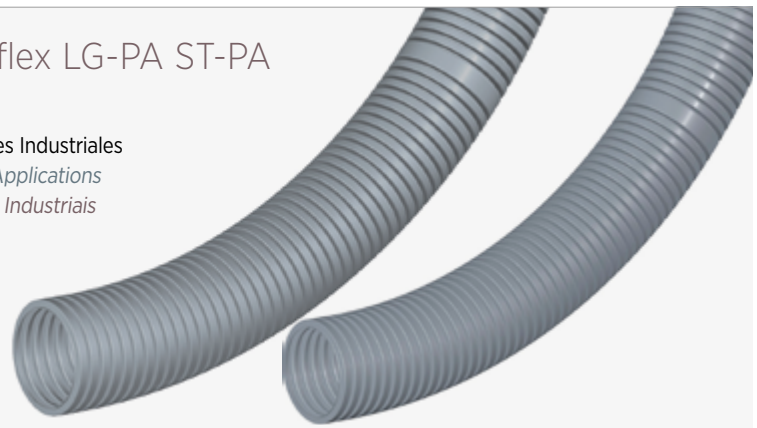
Pemsaflex LG-PA ST-PA

Aplicaciones Industriales  
Industrial Applications  
Aplicações Industriais



PA6

202

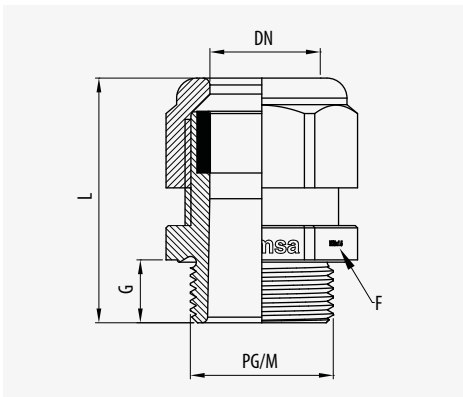




**Prensaestopas IRIS**

*IRIS Cable Gland*

*Presse-Étoupe IRIS*



DN		G	L		RAL 7035	RAL 7001	RAL 9005	kg/u	u
3/6,5	PG7	8	32	15	21040007	21060007	21050007	0,003	50
4/8	PG9	8	36	19	21040009	21060009	21050009	0,005	50
5/10	PG11	8	37	22	21040011	21060011	21050011	0,008	50
6/12	PG13	9	38	24	21040013	21060013	21050013	0,010	50
10/14	PG16	9	42	27	21040016	21060016	21050016	0,013	50
13/18	PG21	11	49	33	21040021	21060021	21050021	0,021	50
18/25	PG29	11	52	42	21040029	21060029	21050029	0,036	25
22/32	PG36	13	64	53	21040036	21060036	21050036	0,064	10
30/38	PG42	13	66	60	21040042	21060042	21050042	0,078	5
34/44	PG48	14	69	65	21040048	21060048	21050048	0,089	5
3/6,5	M12	8	32	15	21041120	21061120	21051120	0,003	50
4/8	M16	8	36	19	21041160	21061160	21051160	0,006	50
5/10	M16	10	39	22	21041161	21061161	21051161	0,006	50
6/12	M20	10	39	24	21041200	21061200	21051200	0,010	50
10/14	M20	10	43	27	21041201	21061201	21051201	0,010	50
13/18	M25	10	48	33	21041250	21061250	21051250	0,021	50
18/25	M32	10	51	42	21041320	21061320	21051320	0,039	25
22/32	M40	10	61	53	21041400	21061400	21051400	0,078	10
32/38	M50	18	71	60	21041500	21061500	21051500	0,100	5
37/44	M63	18	73	70	21041630	21061630	21051630	0,140	5

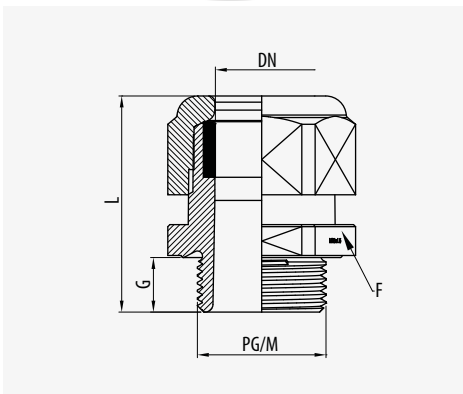
	(M)			
PA 6+TPV		-25/+60°	68	OK



**Prensaestopas HSK-K**

*HSK-K Cable Gland*

*Presse-Étoupe HSK-K*



DN		G	L		RAL 7035	RAL 9005	kg/u	u
3/ 6,5	PG 7	8	29	15	22010007	22012007	0,005	50
4/ 8	PG 9	8	30	19	22010009	22012009	0,006	50
5/10	PG11	8	33	22	22010011	22012011	0,008	50
6/12	PG13	9	36	24	22010013	22012013	0,009	50
10/14	PG16	10	38	27	22010016	22012016	0,013	50
13/18	PG21	11	42	33	22010021	22012021	0,022	50
18/25	PG29	11	49	42	22010029	22012029	0,040	25
22/32	PG36	13	61	53	22010036	22012036	0,058	10
37/44	PG48	14	63	65	22010048	22012048	0,099	5
3/ 6,5	M12	8	29	15	22011120	22013120	0,005	50
4/ 8	M16	8	30	19	22011160	22013160	0,006	50
5/10	M16	8	33	22	22011161	22013161	0,007	50
6/12	M20	9	36	24	22011200	22013200	0,009	50
10/14	M20	9	37	27	22011201	22013201	0,013	50
13/18	M25	11	42	33	22011250	22013250	0,022	50
18/25	M32	11	50	42	22011320	22013320	0,040	25
22/32	M40	13	61	53	22011400	22013400	0,070	10
32/38	M50	13	62	60	22011500	22013500	0,090	5
37/44	M63	14	63	65	22011630	22013630	0,099	5

	(M)			
PA 6+NBR		-15/+90°	68	OK





### Prensaestopas HSK-K Largo

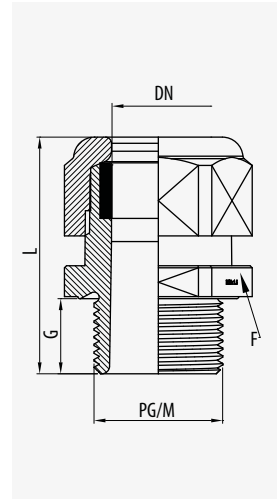
*HSK-K Long Cable Gland*

*Presse-Étoupe HSK-K Long*



DN		G	L		RAL 7035	kg/u	u
3/6	PG7	15	36	15	22014007	0,010	50
4/8	PG9	15	37	19	22014009	0,010	50
5/10	PG11	15	40	22	22014011	0,010	50
6/12	PG13	15	42	24	22014013	0,010	50
10/14	PG16	15	43	27	22014016	0,020	50
13/18	PG21	15	46	33	22014021	0,030	50
18/25	PG29	15	54	42	22014029	0,050	25
22/32	PG36	18	66	53	22014036	0,060	10
37/44	PG48	18	67	65	22014048	0,110	5
3/6	M12	15	36	15	22015120	0,010	50
4/8	M16	15	37	19	22015160	0,010	50
5/10	M16	15	40	22	22015161	0,010	50
6/12	M20	15	42	24	22015200	0,010	50
10/14	M20	15	43	27	22015201	0,010	50
13/18	M25	15	46	33	22015250	0,020	50
18/25	M32	15	54	42	22015320	0,050	25
22/32	M40	18	66	53	22015400	0,070	10
32/38	M50	18	67	60	22015500	0,090	5
37/44	M63	18	67	65	22015630	0,090	5

	(M)				
PA6+NBR			-25/+90°	68	OK



### Prensaestopas HSK-K-EX

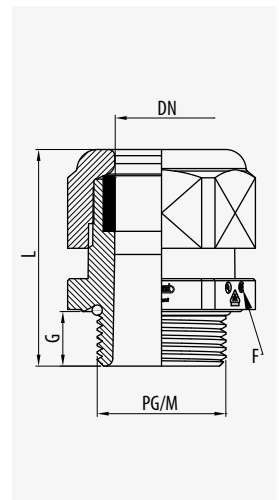
*HSK-K-EX Cable Gland*

*Presse-Étoupe HSK-K-EX*



DN		G	L		RAL 5012	kg/u	u
3/6,5	PG7	8	29	15	22030007	0,005	50
4/8	PG9	8	30	19	22030009	0,006	50
5/10	PG11	8	33	22	22030011	0,008	50
6,5/12	PG13	9	36	24	22030013	0,009	50
10/14	PG16	10	38	27	22030016	0,013	50
13/18	PG21	11	42	33	22030021	0,022	50
18/25	PG29	11	50	42	22030029	0,040	25
22/32	PG36	13	61	53	22030036	0,058	10
37/44	PG48	14	63	65	22030048	0,099	5
3/6,5	M12	8	29	15	22031120	0,005	50
4/8	M16	8	30	19	22031160	0,006	50
5/10	M16	8	33	22	22031161	0,006	50
6,5/12	M20	9	36	24	22031200	0,009	50
10/14	M20	9	37	27	22031201	0,009	50
13/18	M25	11	42	33	22031250	0,022	50
18/25	M32	11	50	42	22031320	0,040	25
22/32	M40	13	61	53	22031400	0,070	10
32/38	M50	13	62	60	22031500	0,090	5
37/44	M63	14	62	65	22031630	0,099	5

	(M)				
PA6+NBR			-15/+90°	68	OK

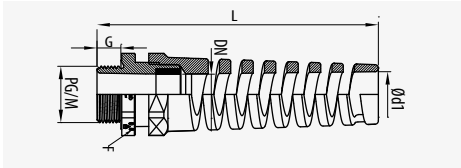




**Prensaestopas HSK-FLEX**

*HSK-FLEX Cable Gland*

*Presse-Étoupe HSK-FLEX*



DN			G	L		RAL 7035	kg/u	
3/6	PG7	7,0	8	62	15	22020007	0,006	50
4/8	PG9	8,5	8	71	19	22020009	0,010	50
5/10	PG11	10,5	8	86	22	22020011	0,013	50
6/12	PG13	13,0	9	99	24	22020013	0,016	50
10/14	PG16	15,5	10	110	27	22020016	0,024	25
13/18	PG21	20,0	11	125	33	22020021	0,043	20
3/6	M12	7,0	8	62	15	22021120	0,005	50
4/8	M16	8,5	8	71	19	22021160	0,010	50
5/10	M16	10,5	8	86	22	22021161	0,010	50
6/12	M20	13,0	9	99	24	22021200	0,016	50
10/14	M20	15,5	9	109	27	22021201	0,016	25
13/18	M25	20,0	11	125	33	22021250	0,043	20

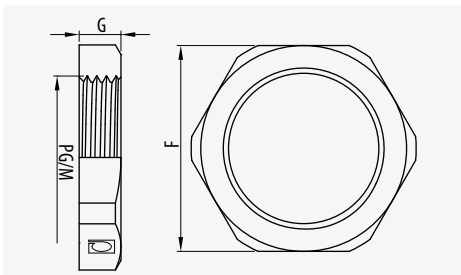
	(M)			
PA6+NBR		-25/+90°	68	OK



**Tuerca TCP**

*TCP Nut*

*Ecrou TCP*



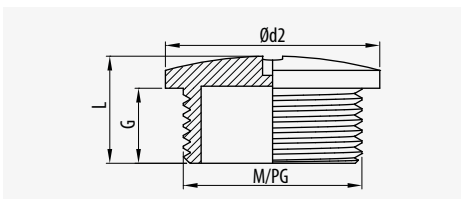
	L		RAL 7001	RAL 7035	RAL 9005	kg/u	
PG7	5	19	40026007	40020007	40024007	0,001	100
PG9	5	22	40026009	40020009	40024009	0,002	100
PG11	5	24	40026011	40020011	40024011	0,001	100
PG13	6	27	40026013	40020013	40024013	0,002	100
PG16	6	30	40026016	40020016	40024016	0,003	100
PG21	7	36	40026021	40020021	40024021	0,003	100
PG29	7	46	40026029	40020029	40024029	0,006	50
PG36	8	60	40026036	40020036	40024036	0,013	25
PG48	8	70	40026048	40020048	40024048	0,014	25
M12	5	18	40027120	40021120	40025120	0,001	100
M16	5	22	40027160	40021160	40025160	0,001	100
M20	6	26	40027200	40021200	40025200	0,002	100
M25	6	32	40027250	40021250	40025250	0,005	100
M32	7	41	40027320	40021320	40025320	0,005	50
M40	7	50	40027400	40021400	40025400	0,007	25
M50	8	60	40027500	40021500	40025500	0,010	25
M63	8	75	40027630	40021630	40025630	0,016	25

	(M)			
PA6+NBR		-25/+105°		OK

**Tapón TPK**

*TPK Cap*

*Bouchon TPK*



		G	L	RAL 7035	kg/u	
PG 7	15	6	8,0	44020007	0,001	100
PG 9	19	6	9,0	44020009	0,002	100
PG11	22	6	9,0	44020011	0,002	100
PG13	25	6	8,5	44020013	0,002	100
PG16	27	6	8,5	44020016	0,003	100
PG21	33	8	12,0	44020021	0,005	100
PG29	44	8	12,0	44020029	0,007	50
PG36	55	10	15,0	44020036	0,013	25
PG48	69	12	16,0	44020048	0,010	10
M12	15	6	8,5	44021120	0,001	100
M16	20	7	10,0	44021160	0,002	100
M20	24	7	10,0	44021200	0,005	100
M25	30	10	14,0	44021250	0,007	100
M32	37	10	14,0	44021320	0,013	50
M40	48	10	15,0	44021400	0,018	50

	(M)			
PA6		-25/+60°	54	OK



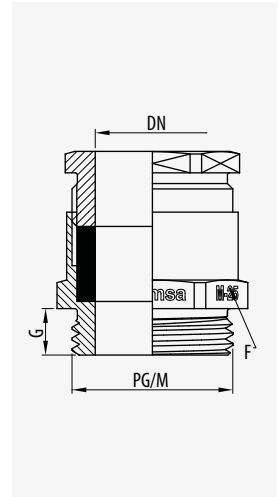
### Prensaestopas PM DIN46320

*PM DIN46320 Cable Gland*

*Presse-Étoupe PM DIN46320*



DN		G		LN	kg/u	
6/8	PG7	5,0	14	20050007	0,009	50
4/10	PG9	6,0	18	20050009	0,013	50
6,5/12	PG11	6,0	20	20050011	0,018	50
6,5/13,5	PG13	6,5	22	20050013	0,024	50
6,5/16	PG16	6,5	24	20050016	0,029	50
9/20	PG21	7,0	30	20050021	0,045	25
17/28	PG29	8,0	40	20050029	0,085	25
23/34	PG36	9,0	50	20050036	0,137	10
35/46	PG48	10,0	64	20050048	0,278	5
5/7	M12	7,0	14	20051120	0,013	50
4/9,5	M16	7,0	18	20051160	0,018	50
6/13	M20	7,0	22	20051200	0,024	50
6/15	M25	8,0	27	20051250	0,029	50
9/20	M32	8,5	33	20051320	0,045	25
15/27	M40	8,5	40	20051400	0,085	10
21/33	M50	9,5	50	20051500	0,137	5
30/45	M63	10,5	65	20051630	0,278	5



LN+NBR	-15/+60°	54	OK



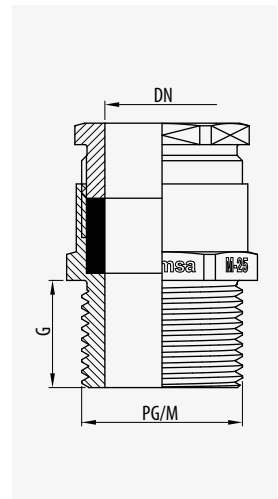
### Prensaestopas PML DIN46320

*PML DIN46320 Cable Gland*

*Presse-Étoupe PML DIN46320*



DN		G		LN	kg/u	
6/8	PG7	15,0	14	20060007	0,011	50
4/10	PG9	15,0	18	20060009	0,016	50
6,5/12	PG11	15,0	20	20060011	0,024	50
6,5/13	PG13	15,0	22	20060013	0,028	50
6,5/16	PG16	15,0	24	20060016	0,036	50
9/20	PG21	15,0	30	20060021	0,054	25
17/28	PG29	15,0	40	20060029	0,101	25
23/34	PG36	15,0	50	20060036	0,153	10
35/46	PG48	15,0	64	20060048	0,305	5



LN+NBR	-15/+60°	54	OK



#### IDEA

Tubos  
Rígidos  
Metálicos

Metal  
Rigid  
Conduits

Conduits  
Rigides  
Metalliques

#### Metal RL - RR

EZ

IEC  
61386 cod. 5557



184

Alta Resistencia mecánica  
High Mechanical Resistance  
Haute Résistance Mécanique







**Prensaestopas IRIS-M**

*IRIS-M Cable Gland*

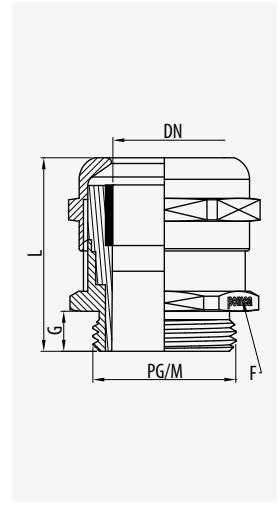
*Presse-Étoupe IRIS-M*



DN		G	L		LN	kg/u	
3/6,5	PG7	6,0	25,0	14	21030007	0,017	50
4/8	PG9	6,0	27,0	17	21030009	0,024	50
5/10	PG11	6,0	28,0	20	21030011	0,027	50
6/12	PG13	6,5	29,5	22	21030013	0,030	50
10/14	PG16	6,5	30,5	24	21030016	0,037	50
13/18	PG21	7,0	32,0	30	21030021	0,057	50
18/25	PG29	8,0	39,0	40	21030029	0,120	25
22/32	PG36	10,0	47,0	50	21030036	0,202	10
30/38	PG42	12,0	49,0	57	21030042	0,235	5
34/44	PG48	14,0	52,0	64	21030048	0,347	5
3/6,5	M12	6,0	25,0	14	21031120	0,015	50
4/8	M16	7,0	28,0	18	21031160	0,025	50
6/12	M20	8,0	31,0	22	21031200	0,041	50
10/14	M25	8,0	32,0	27	21031250	0,056	25
13/18	M32	9,0	34,0	34	21031320	0,098	25
18/25	M40	9,0	40,0	43	21031400	0,155	10
22/32	M50	9,0	46,0	55	21031500	0,286	5
34/44	M63	14,0	52,0	68	21031630	0,390	5

LN+NBR	-25/+90°	68	OK



**Prensaestopas HSK-M**

*HSK-M Cable Gland*

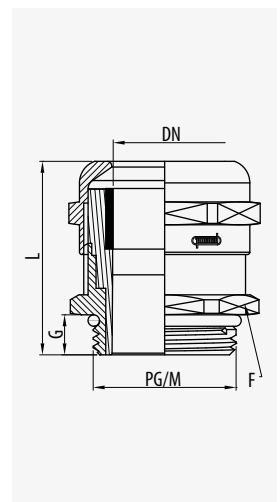
*Presse-Étoupe HSK-M*



DN		G	L		LN	kg/u	
3/6,5	PG7	5,0	24,0	14	22050007	0,011	50
4/8	PG9	6,0	27,0	17	22050009	0,018	50
5/10	PG11	6,0	28,0	20	22050011	0,024	50
6/12	PG13	6,5	30,5	22	22050013	0,029	50
10/14	PG16	6,5	29,5	24	22050016	0,032	50
13/18	PG21	7,0	31,0	30	22050021	0,052	25
18/25	PG29	8,0	37,0	40	22050029	0,097	25
22/32	PG36	8,0	43,0	50	22050036	0,159	10
37/44	PG48	10,0	48,0	64	22050048	0,300	5
3/6,5	M12	6,5	25,5	14	22051120	0,018	50
4/8	M16	6,0	27,0	17	22051160	0,018	50
5/10	M16	6,0	28,0	20	22051161	0,018	50
6/12	M20	6,0	29,0	22	22051200	0,029	50
10/14	M20	6,0	30,0	24	22051201	0,029	50
13/18	M25	7,0	33,0	30	22051250	0,052	25
18/25	M32	8,0	39,0	40	22051320	0,097	25
22/32	M40	8,0	45,0	50	22051400	0,167	10
32/38	M50	9,0	46,0	57	22051500	0,218	5
37/44	M63	10,0	48,0	64	22051630	0,290	5

LN+NBR	-25/+60°	68	OK





### Prensaestopas HSK-MZ

HSK-MZ Cable Gland

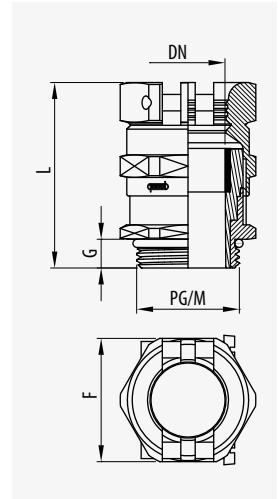
Presse-Étoupe HSK-MZ



DN		G	L		LN	kg/u	u
3/6,5	M12	6,5	32,5	14	22060120	0,010	50
6/8	M16	6,0	34,0	17	22060160	0,030	50
6/10	M16	6,0	36,0	20	22060161	0,020	50
6/12	M20	6,0	39,0	22	22060200	0,040	50
10/14	M20	6,0	39,0	24	22060201	0,030	50
13/18	M25	7,0	44,0	30	22060250	0,050	25
18/25	M32	8,0	51,0	40	22060320	0,100	25
22/32	M40	8,0	58,0	50	22060400	0,170	10
32/38	M50	9,0	60,0	57	22060500	0,220	5
25/31	M50	9,0	60,0	57	22060501	0,100	5
37/44	M63	10,0	62,0	64	22060630	0,360	5
29/35	M63	10,0	62,0	64	22060631	0,380	5

LN+NBR	4(-25°)/2(+90°)	68	OK



### Prensaestopas HSK-M-EX

HSK-M-EX Cable Gland

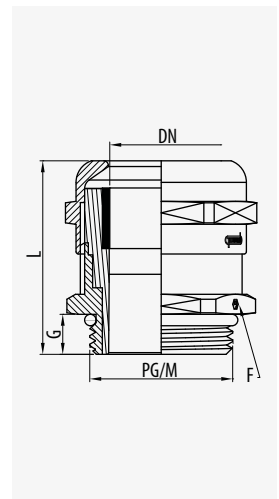
Presse-Étoupe HSK-M-EX



DN		G	L		LN	kg/u	u
3/6,5	PG7	5,0	24,0	14	22080007	0,010	50
4/8	PG9	6,0	27,0	17	22080009	0,020	50
6/10	PG11	6,0	28,0	20	22080011	0,020	50
6/12	PG13	6,5	30,5	22	22080013	0,030	50
10/14	PG16	6,5	29,5	24	22080016	0,030	50
14/18	PG21	7,0	31,0	30	22080021	0,050	25
20/25	PG29	8,0	37,0	40	22080029	0,100	25
22/32	PG36	8,0	43,0	50	22080036	0,160	10
37/44	PG48	10,0	48,0	64	22080048	0,300	5
3/6	M12	6,5	25,5	14	22081120	0,020	50
4/8	M16	6,0	27,0	17	22081160	0,020	50
6/10	M16	6,0	28,0	20	22081161	0,020	50
6/12	M20	6,0	29,0	22	22081200	0,030	50
10/14	M20	6,0	30,0	24	22081201	0,030	50
14/18	M25	7,0	33,0	30	22081250	0,050	25
20/25	M32	8,0	39,0	40	22081320	0,100	25
22/32	M40	8,0	45,0	50	22081400	0,170	10
32/38	M50	9,0	46,0	57	22081500	0,220	5
37/44	M63	10,0	48,0	64	22081630	0,290	5

LN+NBR	-15/+90°	68	OK



SOLUTIONS

Industria Alimentaria

Food Industry

Industrie Alimentaire

Stainless Steel / INOX

**reji band®**

304

316L

IEC  
61386

238





**Prensaestopas HSK-M-EMV-D**

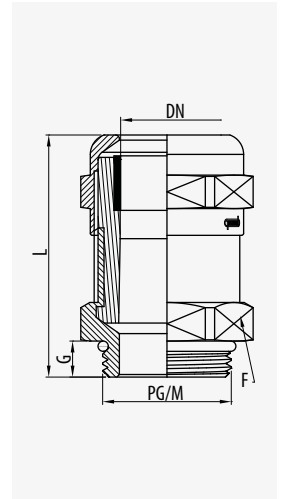
*HSK-M-EMV-D Cable Gland*

*Presse-Étoupe HSK-M-EMV-D*



DN	Thread	G	L	Keyhole		LN	kg/u	U
3/6,5	M12	6,5	31,5	14		22090120	0,010	50
5/10	M16	6,0	38,0	20		22090160	0,030	50
10/14	M20	6,0	39,0	24		22090200	0,030	50
13/18	M25	7,0	46,0	30		22090250	0,030	25
18/25	M32	8,0	53,0	40		22090320	0,030	25
24/32	M40	8,0	59,0	50		22090400	0,030	10
32/38	M50	9,0	66,5	57		22090500	0,230	5
37/44	M63	10,0	62,0	64		22090630	0,230	5

	(M)			
LN+NBR		-25/+90°	68	OK



**Prensaestopas HSK-INOX**

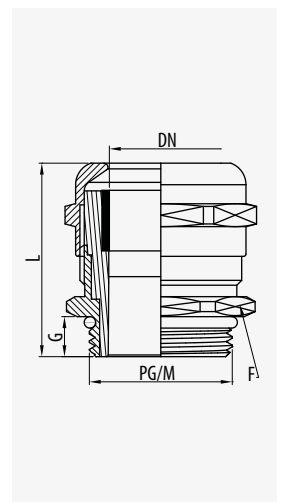
*HSK-INOX Cable Gland*

*Presse-Étoupe HSK-INOX*



DN	Thread	G	L	Keyhole		304	kg/u	U
3/6,5	M12	6,5	25,5	14		22070120	0,010	10
5/10	M16	6,0	28,0	22		22070160	0,020	10
10/14	M20	6,0	29,0	24		22070200	0,030	10
13/18	M25	7,0	31,0	30		22070250	0,040	10
18/25	M32	8,0	39,0	41		22070320	0,090	5
22/32	M40	8,0	45,0	50		22070400	0,100	5

	(M)			
304+NBR		-25/+60°	68	OK



**Prensaestopas HSK-INOX-HD**

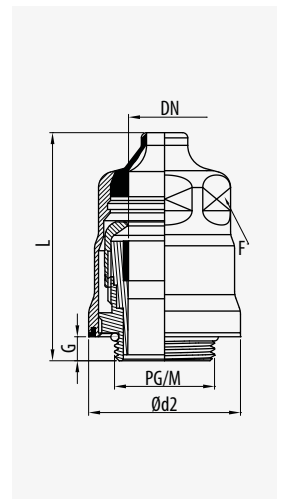
*HSK-INOX-HD Cable Gland*

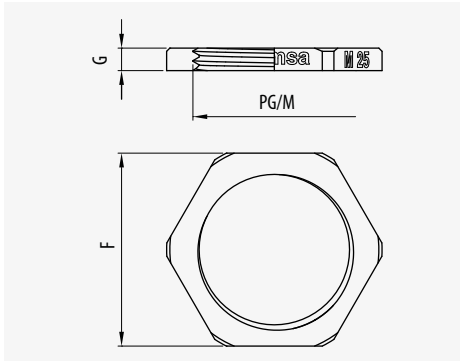
*Presse-Étoupe HSK-INOX-HD*



DN	Thread	Ød2	G	L	Keyhole	316L	kg/u	U
3/6,5	M12	21	6	30,0	14	22040120	0,008	10
5/10	M16	27	6	34,0	20	22040160	0,065	10
10/14	M20	33	6	34,5	24	22040200	0,080	5
13/18	M25	40	6	41,5	30	22040250	0,138	5

	(M)			
316L		-25/+120°	68	OK

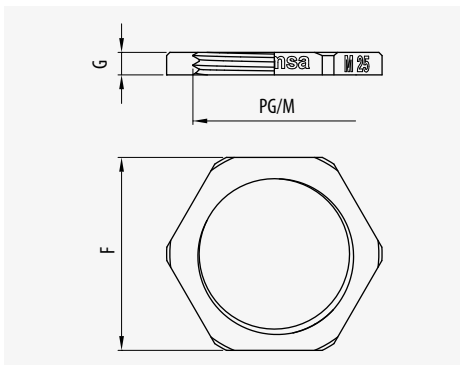



**Tuerca TCM**    **TCM Nut**    **Ecrou TCM**


	G			LN	kg/u	U
PG7	2,8	15		40010007	0,002	100
PG9	2,8	18		40010009	0,002	100
PG11	3,0	21		40010011	0,003	100
PG13	3,0	23		40010013	0,003	100
PG16	3,0	26		40010016	0,005	100
PG21	3,5	32		40010021	0,007	100
PG29	4,0	41		40010029	0,013	50
PG36	5,0	51		40010036	0,021	25
PG42	5,0	60		40010042	0,030	25
PG48	5,5	64		40010048	0,034	25
M12	2,8	15		40011120	0,002	100
M16	2,8	19		40011160	0,003	100
M20	3,0	24		40011200	0,004	100
M25	3,5	30		40011250	0,009	100
M32	4,0	36		40011320	0,011	50
M40	5,0	46		40011400	0,019	25
M50	5,0	60		40011500	0,026	25
M63	6,0	70		40011630	0,055	25



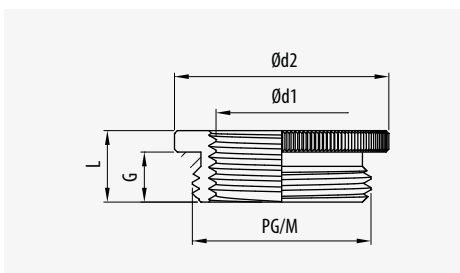
	(M)			
	LN		-45/+150°	OK


**Tuerca TCM Inox**    **TCM INOX Nut**    **Ecrou TCM INOX**


	G			304	kg/u	U
M16	2,8	19		40014160	0,003	50
M20	3,0	24		40014200	0,004	50
M25	3,5	30		40014250	0,009	25
M32	3,5	36		40014320	0,011	25
M40	5,0	46		40014400	0,019	10
M50	5,0	57		40014500	0,026	10
M63	6,0	70		40014630	0,055	10



	(M)			
	304		-45/+150°	OK


**Reducción R-H**    **R-H Reducer**    **Réducteur R-H**


	Ød1	Ød2	G	L	LN	kg/u	U
M16	M12	18	6,0	8,5	42001612	0,010	100
M20	M12	24	6,5	9,0	42002012	0,020	100
M20	M16	24	6,5	9,0	42002016	0,020	100
M25	M16	30	7,0	10,0	42002516	0,030	50
M25	M20	30	7,0	10,0	42002520	0,020	50
M32	M20	39	8,0	11,5	42003220	0,050	50
M32	M25	39	8,0	11,5	42003225	0,030	50
M40	M25	43	8,0	11,5	42004025	0,080	25
M40	M32	43	9,0	12,5	42004032	0,040	25
M50	M32	57	10,0	14,0	42005032	0,120	10
M63	M40	64	10,0	14,0	42006340	0,210	10
M63	M50	64	10,0	14,0	42006350	0,120	10

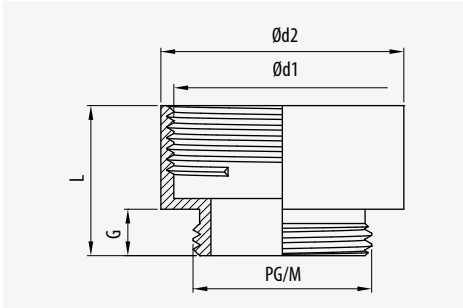


	(M)			
	LN		-45/+150°	OK





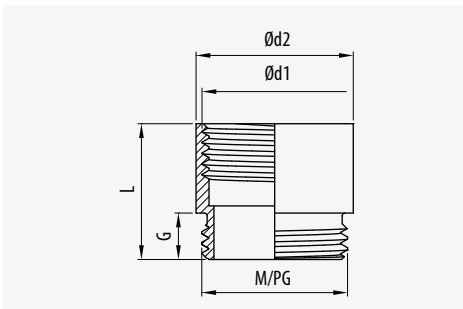
**Ampliación E-MS**    *E-MS Enlarger*    *Amplificateur EM-S*



	Ød1	Ød2	G	L	LN	kg/u	u
PG7	PG9	17	5,0	15,0	42020709	0,007	100
PG9	PG11	20	6,0	16,5	42020911	0,009	100
PG9	PG13	22	6,0	17,5	42020913	0,010	100
PG11	PG13	22	6,0	17,5	42021113	0,012	100
PG11	PG16	24	6,0	18,5	42021116	0,013	100
PG13	PG16	24	6,5	19,0	42021316	0,012	100
PG16	PG21	30	6,5	21,0	42021621	0,024	50
PG21	PG29	39	7,0	23,0	42022129	0,038	50
PG29	PG36	50	8,0	28,0	42022936	0,077	25
M12	M16	18	5,0	15,0	42051216	0,010	100
M16	M20	22	6,0	17,5	42051620	0,010	100
M20	M25	27	6,5	19,0	42052025	0,020	50
M25	M32	34	8,0	20,5	42052532	0,030	50
M32	M40	42	7,0	23,0	42053240	0,050	25
M40	M50	53	9,0	31,0	42054050	0,160	10
M50	M63	65	9,5	24,0	42055063	0,160	10



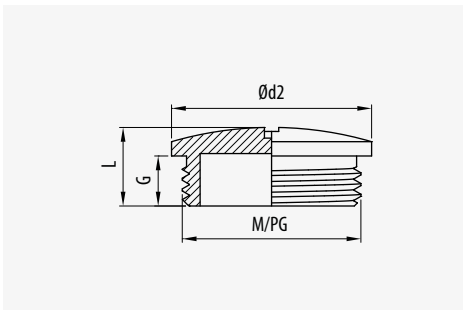
**Adaptador RE-MS**    *RE-MS Adaptor*    *Adaptateur RE-MS*



	Ød1	Ød2	G	L	LN	kg/u	u
M16	PG9	20	6,0	16,5	43001609	0,020	100
M20	PG11	22	6,5	19,0	43002011	0,020	100
M20	PG13	22	6,5	19,0	43002013	0,010	100
M20	PG16	24	6,5	19,0	43002016	0,020	100
M25	PG16	28	6,5	19,0	43002516	0,050	50
M25	PG21	30	6,5	21,0	43002521	0,020	50
M32	PG29	39	7,0	23,0	43003229	0,050	25
PG 9	M16	20	6,0	16,5	43010916	0,020	100
PG11	M20	22	6,5	19,0	43011120	0,020	100
PG13	M20	22	6,5	19,0	43011320	0,020	100
PG16	M25	27	6,5	21,0	43011625	0,040	50

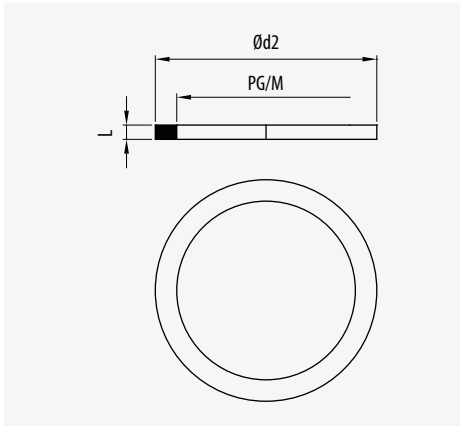


**Tapón TPM**    *TPM Cap*    *Bouchon TPM*



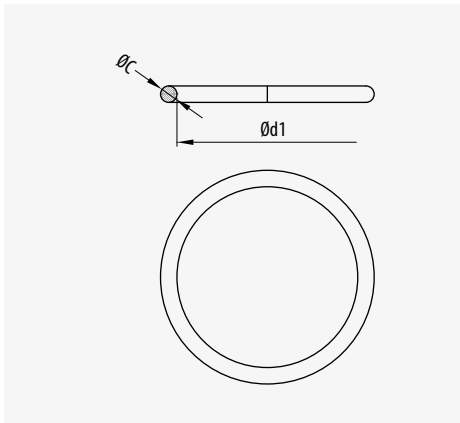
	Ød2	G	L	LN	kg/u	u
PG7	14	5,25	8,0	44010007	0,004	100
PG9	17	6,00	9,0	44010009	0,005	100
PG11	20	6,00	9,0	44010011	0,008	100
PG13	22	6,50	9,5	44010013	0,009	100
PG16	24	6,50	9,5	44010016	0,013	100
PG21	30	7,00	11,0	44010021	0,024	100
PG29	39	8,00	12,0	44010029	0,036	50
PG36	50	9,00	15,0	44010036	0,082	25
PG42	57	10,00	16,0	44010042	0,107	25
PG48	64	10,00	16,0	44010048	0,119	10
M12	14	5,00	7,0	44011120	0,005	100
M16	18	6,00	8,0	44011160	0,008	100
M20	22	6,50	8,5	44011200	0,013	100
M25	27	7,00	10,0	44011250	0,024	100
M32	34	8,00	11,0	44011320	0,050	50
M40	44	9,00	13,0	44011400	0,093	25
M50	54	10,00	14,5	44011500	0,136	25
M63	67	10,00	15,0	44011630	0,190	10




**Junta Plana**   **Flat Ring**   **Joint Plat**


		L	RAL 5024	kg/u	
PG7	16,5	2	39090007	0,001	500
PG9	19	2	39090009	0,001	500
PG11	22,5	2	39090011	0,002	500
PG13	25	2	39090013	0,003	500
PG16	27	2	39090016	0,003	500
PG21	33,5	2	39090021	0,005	500
PG29	43,5	2	39090029	0,009	250
PG36	55	2	39090036	0,018	100
PG48	69	2	39090048	0,025	50
M12	16	2	39090112	0,001	500
M16	20	2	39090116	0,002	500
M20	25	2	39090120	0,003	500
M25	31	2	39090125	0,003	500
M32	38	2	39090132	0,005	250
M40	48	2	39090140	0,009	100
M50	58	2	39090150	0,018	50
M63	72	2	39090163	0,025	50

NBR		-25°/+120	OK


**Junta Tórica**   **O-Ring**   **Joint Torique**


		C	RAL 9005	kg/u	
PG7	9,0	1,5	39096007	0,001	500
PG9	12,0	1,5	39096009	0,001	500
PG11	16,0	1,5	39096011	0,001	500
PG13	17,2	1,8	39096013	0,001	100
PG16	22,0	2,0	39096016	0,002	500
PG21	29,0	2,0	39096021	0,003	500
PG29	33,0	2,0	39096029	0,004	250
PG36	43,0	2,0	39096036	0,006	100
PG48	55,0	2,0	39096048	0,007	50
M12	9,0	1,5	39096112	0,001	500
M16	12,0	1,5	39096116	0,002	500
M20	17,2	1,8	39096120	0,002	500
M25	22,0	2,0	39096125	0,003	500
M32	29,0	2,0	39096132	0,004	250
M40	35,0	2,0	39096140	0,005	50
M50	43,0	2,0	39096150	0,066	50
M63	55,0	2,0	39096163	0,007	50

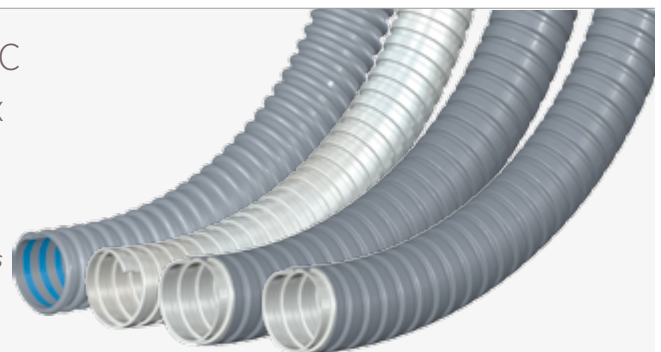
NBR		-25°/+120	OK


**IDEA**  
Flexibl

TFA   TM-PVC  
TM   Ecoflex

Tubos flexibles para aplicaciones generales  
Flexible conduits for general applications  
Conduits Flexibles pour applications générales


195-196

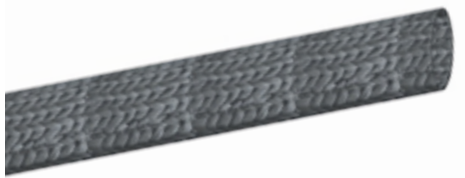




**Funda Protectora PA**

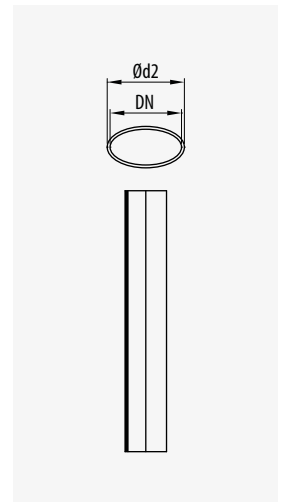
*PA Braided Tubing*

*Housse Protectrice PA*



DN	Ød2		RAL 7031	RAL 9005	kg/u	
4	3/6		12000004	12000104	0,004	100
6	5/8		12000006	12000106	0,005	100
8	7/11		12000008	12000108	0,006	100
10	7/15		12000010	12000110	0,009	100
12	8/18		12000012	12000112	0,014	100
16	15/21		12000016	12000116	0,015	100
20	18/30		12000020	12000120	0,022	100
25	24/36		12000025	12000125	0,024	100
30	32/47		12000030	12000130	0,034	50
40	32/58		12000040	12000140	0,042	50
50	32/68		12000050	12000150	0,051	50
60	32/85		12000060	12000160	0,069	50

	(M)			
	PA 6		-25/+150°	OK



**Funda Protectora PP**

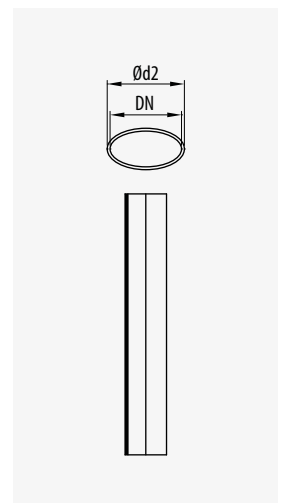
*PP Braided Tubing*

*Housse Protectrice PP*



DN	Ød2		RAL 7031	kg/u	
4	3/6		12001004	0,003	100
6	5/8		12001006	0,004	100
8	7/11		12001008	0,005	100
10	7/15		12001010	0,008	100
12	8/18		12001012	0,011	100
16	15/21		12001016	0,012	100
20	18/30		12001020	0,016	100
25	24/36		12001025	0,018	100
30	32/47		12001030	0,024	50
50	32/58		12001040	0,03	50
50	32/68		12001050	0,039	50
60	32/85		12001060	0,045	50

	(M)			
	PP		-25/+150°	OK



**Cinta Helicoidal**

*Spiral Tape*

*Ruban hélicoïdale*



DN	Ød1	Ød2	RAL 9010	RAL 9005	kg/u	
3/12	2,5	4	91011030	91012030	0,007	500
6/40	4	6	91021060	91022060	0,014	250
8/60	5,4	8	91031080	91032080	0,026	125
10/90	9,2	12	91041109	91042109	0,039	50

	(M)			
	PE		-45/+90°	OK

